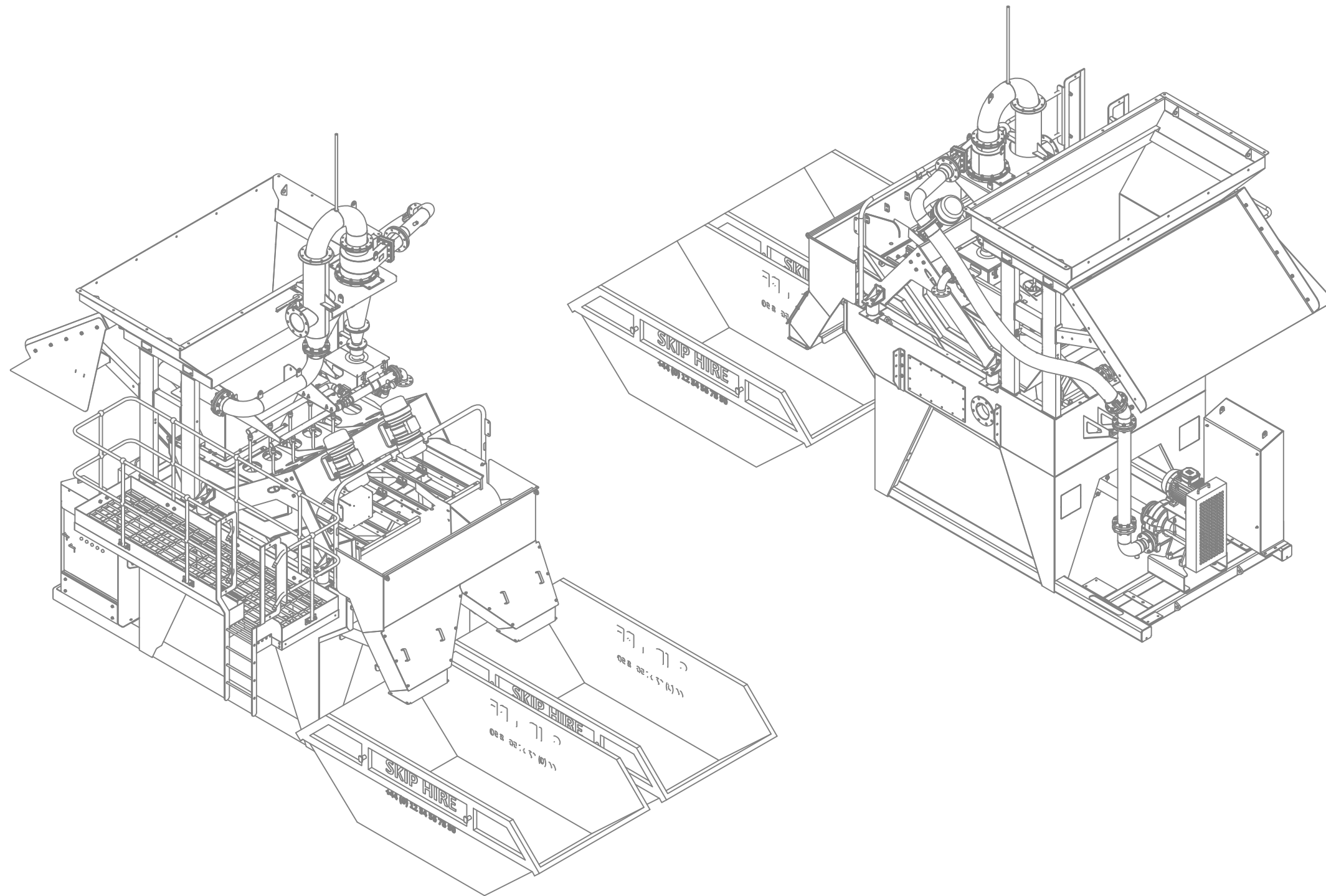


05545.00001.16.006.0.Schematic 3D Plant Details.dwg



NOTES

1. PLANT DETAILS SUPPLIED BY CD ENVIRO LIMITED. FILE REF: EP127-LAYOUT-01-C.DWG.

**GREEN WASTE  
RECYCLING**



SUITE 5, BRINDLEY COURT  
GRESLEY ROAD  
SHIRE BUSINESS PARK  
WORCESTER WR4 9FD  
T: +44 (0)1905 751310  
F: +44 (0)1905 751311  
www.slrconsulting.com

HANBURY PLANNING & PERMITTING

APPLICATION FOR MATERIALS  
RECOVERY PLANT

**SCHEMATIC 3D PLANT DETAILS**

**6**

Scale  
NTS @ A3

Date  
OCTOBER 2017